

Jabuti CE

Writing Executable Smart Contracts for Enterprise Application Integration

Mailson Teles-Borges

mailson.borges@sou.unijui.edu.br

Unijuí University

Members

Mailson Teles-Borges

mailson.borges@sou.unijui.edu.br

Unijuí University, Brazil

Sandro Sawicki

sawicki@unijui.edu.br

Unijuí University, Brazil

Antonia M. Reina-Quintero

reinaqu@us.es

Seville University, Spain

Eldair F. Dornelles

eldair.dornelles@unijui.edu.br

Unijuí University, Brazil

Fabricia Roos-Frantz

frfrantz@unijui.edu.br

Unijuí University, Brazil

Carlos Molina-Jimenez

carlos.molina@cl.cam.ac.uk

Cambridge University, United Kingdom

Rafael Z. Frantz

rzfrantz@unijui.edu.br

Unijuí University, Brazil

Jose Bocanegra

j.bocanegra@uniandes.edu.co

Universidad de Los Andes, Colombia



Index

1. Context
2. Problem
3. Solution
4. Current and Future works

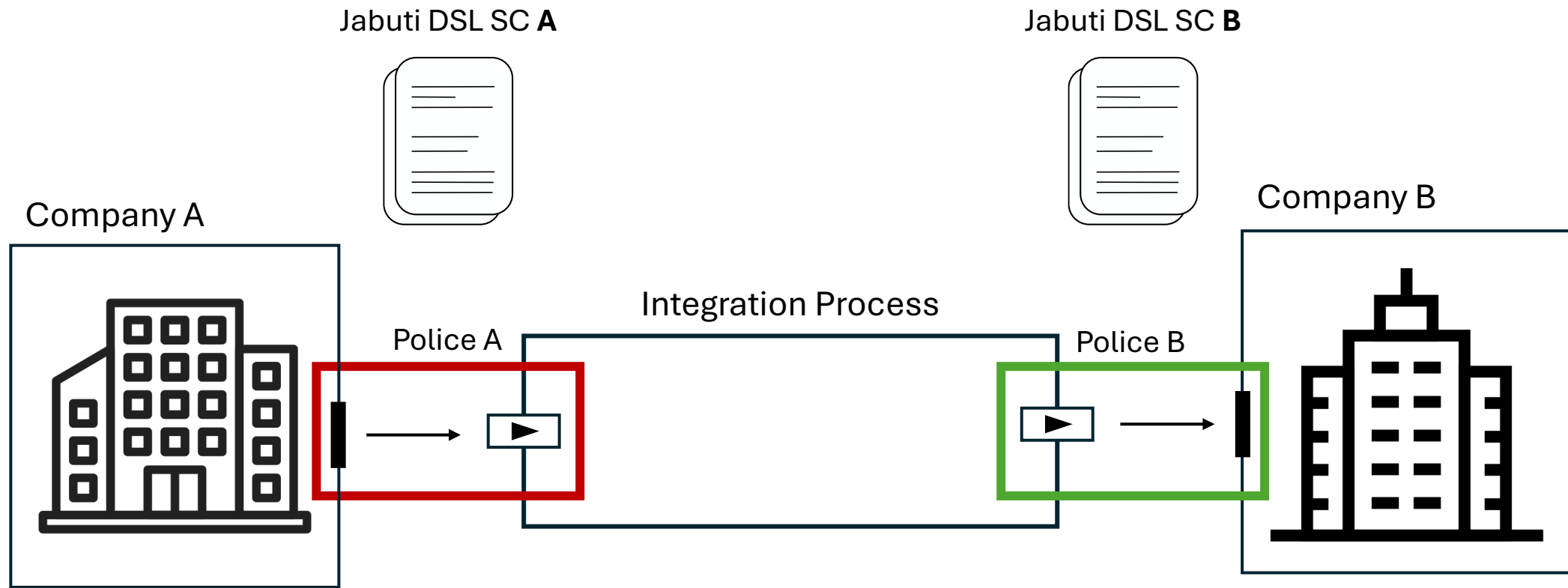
C5NA



Context



Context



Problem



Problem

Is possible to execute a Jabuti DSL smart contract ?

No, it isn't

How to execute a Jabuti DSL smart contract?

Option 1: building a runtime

Option 2: transforming it in an executable language

Why option 2 is the best option?

- Validated environment
- Faster development
- Allows more possibilities of use cases



Solution



Jabuti CE



Jabuti CE v0.0.5

Applied Computing Research Group (GCA) | 10 | ★★★★★

Provides a set of features to support writing smart contracts in Jabuti DSL

Disable | Uninstall | Auto Update

<https://marketplace.visualstudio.com/items?itemName=gca-unijui.jabuti-ce-vscode-plugin>

Main Features

Code highlighting

```
discount-coupon-late-delivery.jabuti > ...
1  contract DiscountCouponLateDelivery {
2
3    dates {
4      beginDate = 2024-06-06 00:00
5      dueDate = 2024-06-10 23:59
6    }
7
8    parties {
9      application = "Delivery App"
10     process = "Integration Process"
11   }
12
13   variables {
14     totalPurchaseAmount = MessageContent("sum($.[*].value)")
15     deliveryDate = "$.deliveryDate"
16     expectedDate = "$.expectedDate"
17   }
18 }
```

Main Features

Autocompletion

```
obligation purchasesGreatherThan300USD {  
  rolePlayer = application  
  operation =   
  terms {  
    MessageCon  
    MessageCon  
  }  
  onBreach(log("[300USD] the delivery date was later than the expected date"))  
}
```

You, 4 weeks ago • Uncommitted changes

- poll
- push
- read
- request
- response
- write

Main Features

Syntax and semantic validation

```
contract DiscountCouponLateDelivery {  
  dates {  
    beginDate =  
    beginDate is required Jabuti Language  
  }  
  The begin date of the contract.  
  Allowed patterns:  
  yyyy-mm-dd HH:mm  
  yyyy-mm-dd HH:mm:ss  
  Examples:  
  2024-10-16 16:22:45  
  2024-10-16 16:22  
  View Problem (Ctrl+K N) No quick fixes available  
}  
  
clauses {  
  obligation purchasesBetween100USD300USD {  
    rolePlayer = application  
    operation = response  
  }  
}
```

Main Features

Documentation on hover

```
contract DiscountCouponLateDelivery {
  dates {
    beginDate =
  }
}

clauses {
  obligation purchasesBetween100USD300USD {
    rolePlayer = application
    operation = response
  }
}
```

beginDate is required Jabuti Language

The begin date of the contract.

Allowed patterns:

- yyyy-mm-dd HH:mm
- yyyy-mm-dd HH:mm:ss

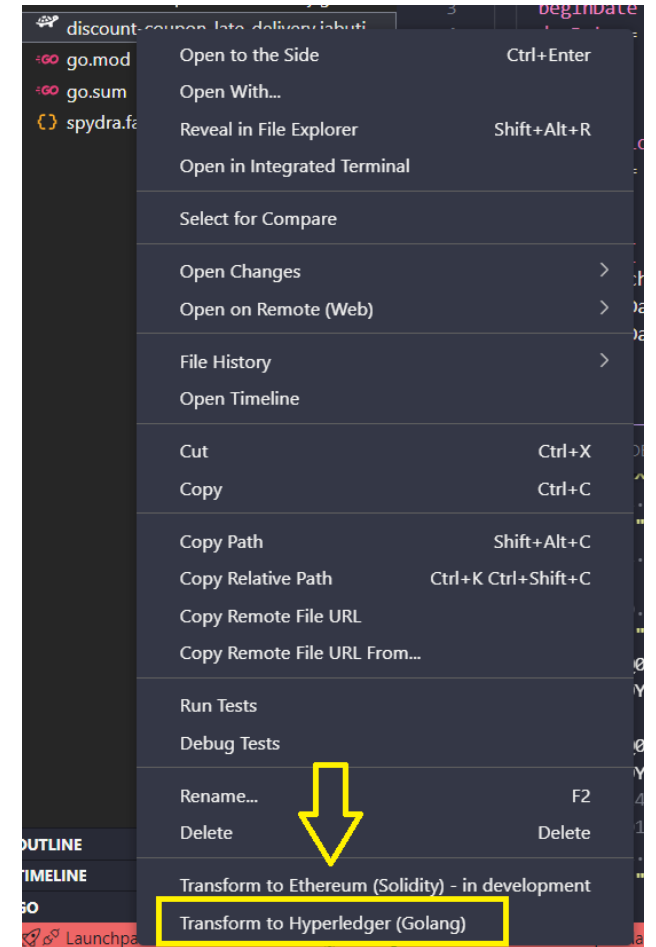
Examples:

- 2024-10-16 16:22:45
- 2024-10-16 16:22

View Problem (Ctrl+K N) No quick fixes available

Main Features

Transformation



EXPLORER

- .vscode
- __debug_bin1082695408.exe
- discount-coupon-late-delivery.jabuti
 - go.mod
 - go.sum
 - spydra.fabric

discount-coupon-late-delivery.jabuti > ...

```
1 contract DiscountCouponLateDelivery {
2   dates {
3     beginDate = 2024-01-01 00:00
4     dueDate = 2024-12-31 23:59
5   }
6
7   parties {
8     application = "Delivery App"
9     process = "Integration Process"
10  }
11
12  variables {
13    totalPurchaseAmount = "sum($.[*].value)"
14    deliveryDate = "$.deliveryDate"
15    expectedDate = "$.expectedDate"
16  }
17
18  clauses {
```

OUTPUT

Hi! Debugger

Launchpad 0 0 0 Debug Chaincode (discount-coupon-late-delivery) You, 48 seconds ago Ln 38, Col 47 Spaces: 2 UTF-8 CRLF Jabuti Language Reload Prettier

Current and future works



Current and future works

Explore complex case studies

Integrate with Blockchains

Execution and Monitoring

Use of AI



Where do you can find us?



<https://github.com/gca-research-group/jabuti-ce-transformation-engine>

Jabuti project papers

- [Advances in a DSL to Specify Smart Contracts for Application Integration Processes](#)
- [On the Need to Use Smart Contracts in Enterprise Application Integration](#)
- [Jabuti CE: A Tool for Specifying Smart Contracts in the Domain of Enterprise Application Integration](#)

Jabuti project repositories

- VSCode based projects
 - [Jabuti DSL Grammar](#)
 - [Transformation Engine](#)
 - [VSCode Plugin](#)
- Eclipse based projects
 - [XText/Xtend implementation](#)

Q&A

Mailson Teles Borges | mailson.borges@sou.unijui.edu.br

C5NA

